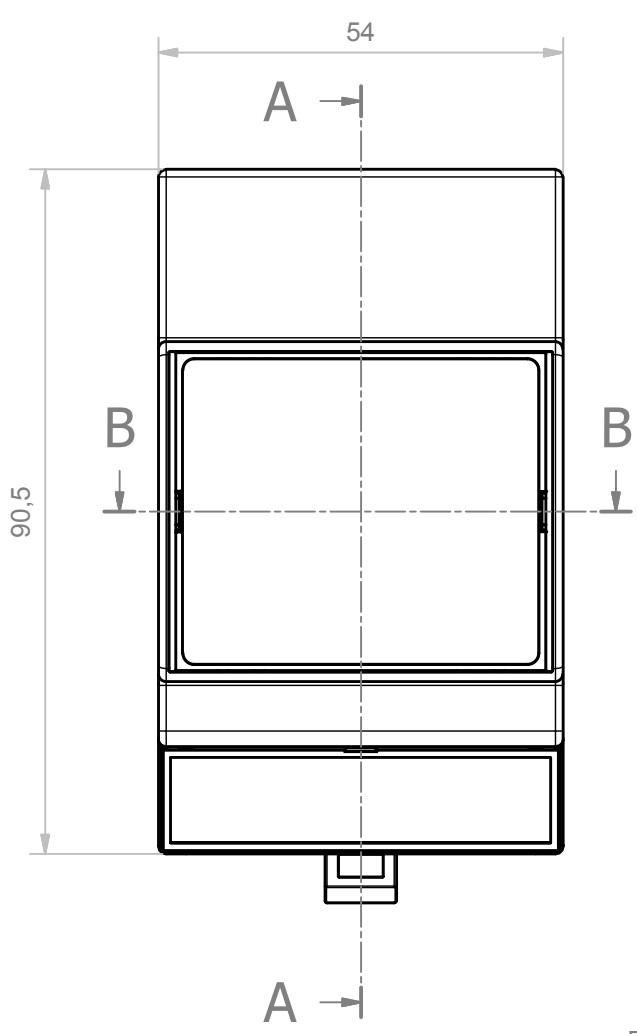
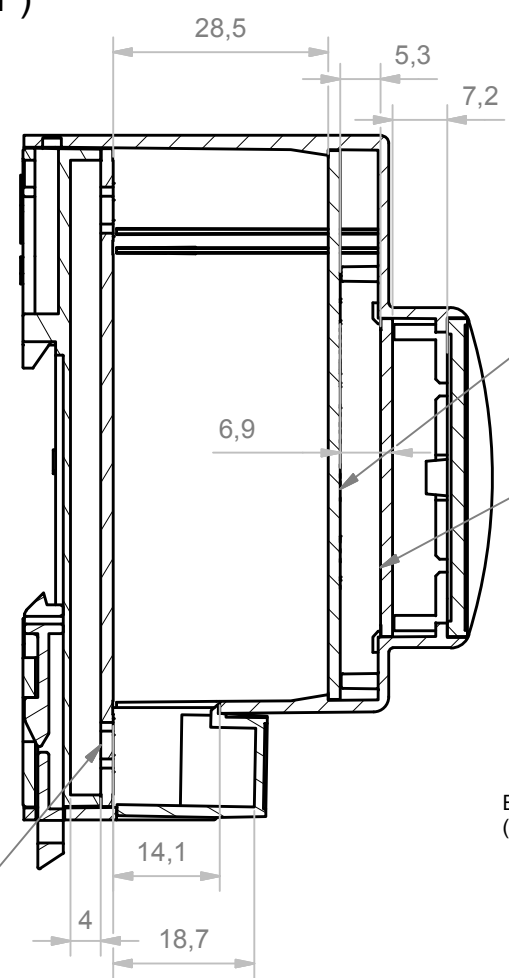


6 | 5 | 4 | 3 | 2 | 1

D
C
B
A



A-A (1:1)

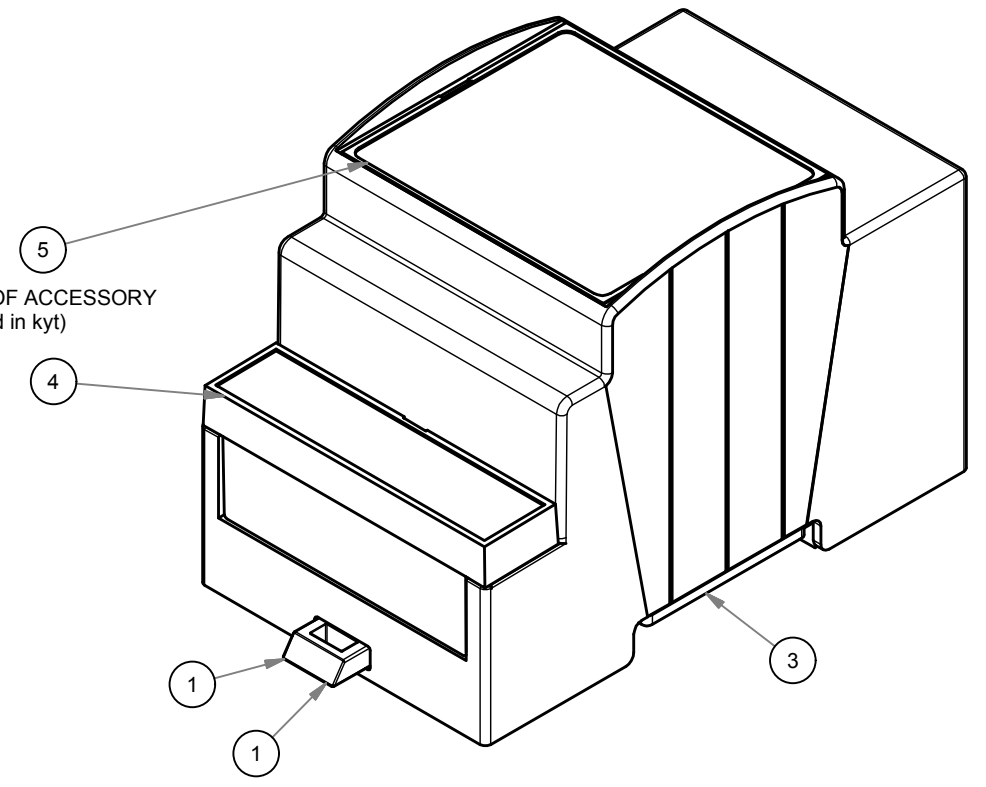


PCB "B-B" POSITION
(NOT SUPPLIED)

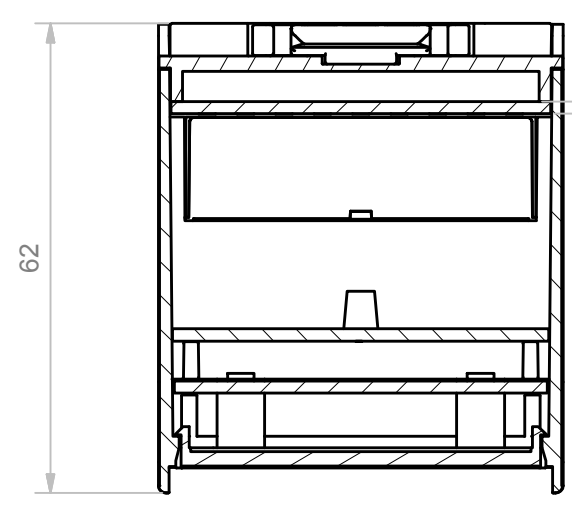
PCB "C" POSITION
(NOT SUPPLIED)

PCB "A" POSITION
(NOT SUPPLIED)

EXAMPLE OF ACCESSORY
(not included in kyt)



B-B (1:1)



BOARD THICKNESS TYP

RIF.	Q.TY	DESCRIPTION	CODE
1	1	MODULAR HOOK LONG	1.001.01900
2	1	CORPO CONTENITORE 3MH53-B XTS	2.250.00061
3	1	BASE MODULBOX XT/XTS - 3M	1.001.01982
4	1	COPRIMORSETTO SENZA FORATURA 3MPN	1.001.00255
5	1	PANNELLO MODULBOX 3M CON CORNICE	1.001.00350

General Tolerance UNI EN 22768/1 Media (m)				
from 0.5 to 3	from 3 to 6	from 6 to 30	from 30 to 120	from 120 to 400
± 0.1	± 0.1	± 0.2	± 0.3	± 0.5
Scale: 1 : 1	Sheet nr.: 1 / 1	Drawn: F.F.	Checked: F.F.	Date: 31/07/2018
Dimension in mm		Material:	Weight:	Cod. Mold:
 www.italtronic.com techcare@italtronic.com		Description: CONTENITORE COMPLETO MODULBOX XTS 3MH53-B COMPLETE ENCLOSURE MODULBOX XTS 3MH53-B		
Drawing nr. 3.250.00041			Rev. 01	

6 | 5 | 4 | 3 | 2 | 1

31/07/2018 F.F. Updated cartouche with new code (code passed M-04070-01) .index IM02 (201556)

RESERVED PROPERTY: The present drawing cannot be reproduced or communicated to 3rd parties, even partially, without the authorization of ITALTRONIC Srl. Italtronic reserves to protect its own rights according to the law.